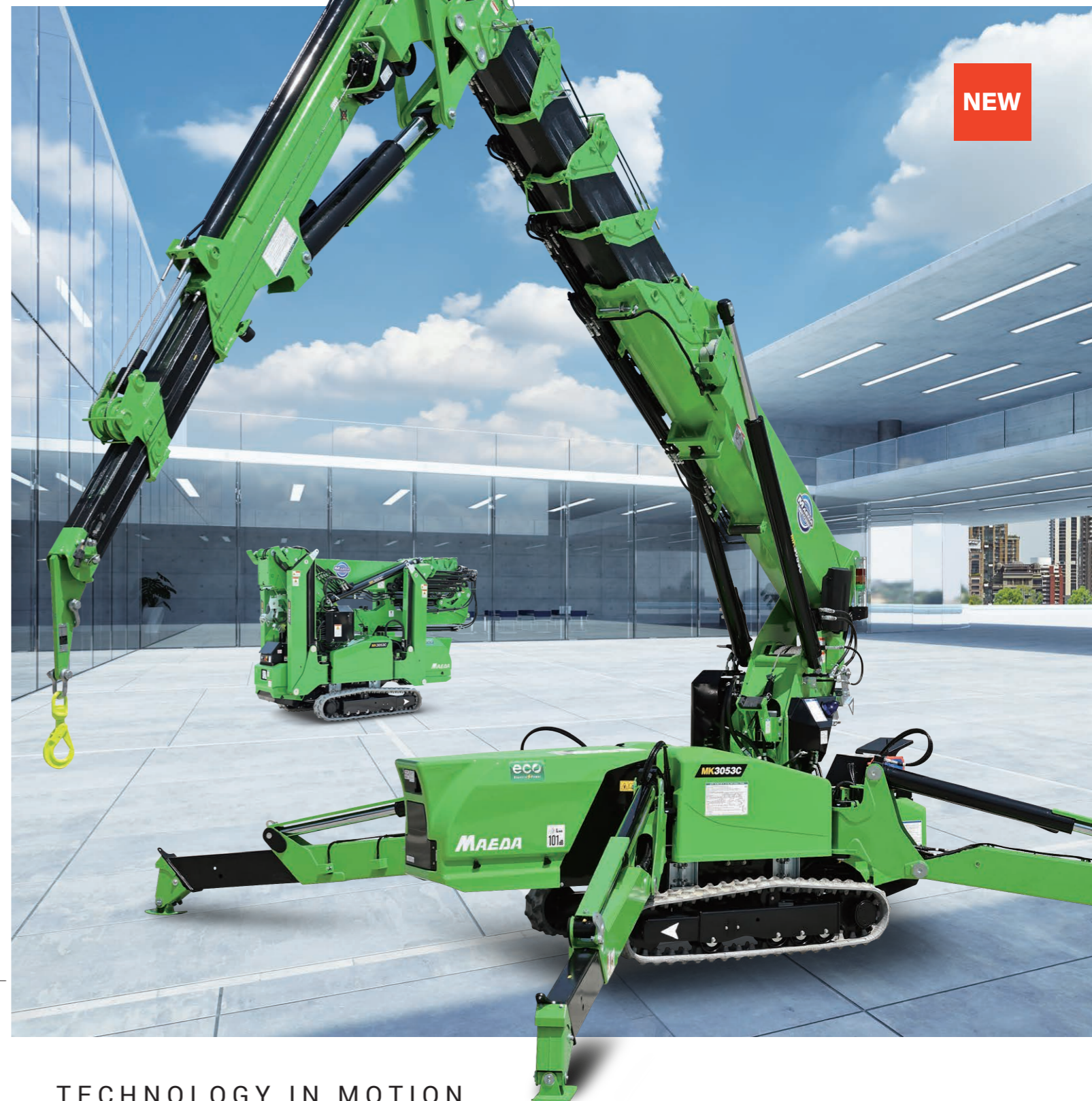


MK3053C

KNUCKLE BOOM

Crane Capacity Max. Working Radius Max. Lifting Height
2.98t x 1.8m **14.3m** **16.95m**
 (1.0t x 5.2m with Jib)

NEW



Specifications

Model		MK3053C
Crane capacity Main boom / Jib		2.98t x 1.8m / 1.0t x 5.2m
Max. working radius Main boom / Jib		9.4m / 14.3m
Max. lifting height (on the ground) Main boom / Jib		12.0m / 16.95m
Boom	Telescopic system	Type: Fully automatic 5-section pentagonal telescopic boom Boom length: 3.1m - 10.3m Boom telescoping stroke / time: 7.2m / 45.4sec for Diesel, 42.3sec for Battery
	Boom hoist system	Hoist angle / time: 0 to 85deg / 26sec
	Jib	Telescopic system
	Jib hoist system	Hoist angle / time: 195deg / 17.5sec
Slew system		Slew angle / time: 360deg / 1.3rpm for Diesel, 1.4rpm for Battery
Winch system		Hook speed: 40.4m/min for Diesel, 39.8m/min for Battery (4 layers, single fall)
Outrigger system		Type: Hydraulic cylinder direct acting type Max. extended width (outer dims): (Lateral) 4,665x (Front) 4,740x (Rear) 4,800mm Extended position: Multi (stepless)
Travel system		Type: Hydraulic motor driven, stepless speed changer Travel speed: 0 - 2.4km/h Gradability NARROW / WIDE (STD): 17.5deg / 24.7deg Crawler ground length x width: 950mm x 180mm Gauge width: 780mm - 1,050mm Ground pressure: 83.4kpa [0.85kgf/cm ²]
Engine (Diesel / Diesel + Electric)		Model: KUBOTA Z482-E4B Displacement: 0.479L [479cc] Rated output: 7.2kw/2,600min ⁻¹ [9.8ps/2,600rpm] Fuel: Diesel
Electric Motor (Diesel + Electric)		Motor type: Totally enclosed fan-cooled motor 4.0kw, 4P 380V(200-415V) Type: Lithium Titanate Battery 5-hour rate capacity: DC55V-135Ah, 7.4kWh Input Voltage / current: Single phase AC200V/16A, AC100V/14A
Battery system (Battery spec)		Charging time: with AC-200V: 80%:2h20min / 100%:3h30min; with AC-100V: 80%:5h20min / 100%:7h00min Operating time: Up to a full working day if charged during operation Charging during operation: Available
Remote control system		Type: Paddle type radio & Proportional control
Overall length x width x height		3,195mm x 780mm x 1,945mm
Machine weight (Diesel + Electric / Diesel, Battery)		2,900kg / 2,875kg
Optional equipment		EBU075 (extra battery unit), Black or White rubber tracks (depends on spec)

Rated Total Load Chart for 4 Falls with Main Boom unit:kg

Working Radius (m)	2.95m Boom			4.76m Boom			6.57m Boom			8.38m Boom			10.19m Boom			
	OR Extended Position	Max.	Mid.	Min.	OR Extended Position	Max.	Mid.	Min.	OR Extended Position	Max.	Mid.	Min.	OR Extended Position	Max.	Mid.	Min.
1	2980	2980	2980	2570	2570	2570	2380	2380	2380	2000	2000	2000	1450	1450	1450	
1.5	2980	2980	2980	2570	2570	2570	2380	2380	2380	2000	2000	2000	1450	1450	1450	
1.8	2980	2980	2980	2570	2570	2570	2380	2380	2380	2000	2000	2000	1450	1450	1450	
2	2865	2865	2865	2570	2570	2570	2380	2380	2380	2000	2000	2000	1450	1450	1450	
2.19	2715	2715	2715	2570	2570	2265	2380	2380	2165	2000	2000	2000	1450	1450	1450	
2.5				2405	2330	1905	2205	2140	1875	2000	2000	1670	1450	1450	1450	
3				2030	2000	1515	1940	1805	1510	1755	1645	1295	1450	1450	1125	
3.5				1735	1720	1265	1705	1525	1225	1545	1380	1045	1450	1210	910	
4				1500	1490	1085	1490	1290	1005	1360	1165	860	1255	1025	750	
4.5							1300	1085	820	1200	990	720	1100	880	630	
5							1130	905	670	1060	850	610	965	760	535	
5.5							975	750	545	930	725	525	850	660	460	
5.81							860	660	475	790	605	420				
6							815	625	450	755	575	395				
6.5							710	535	390	670	500	345				
7							620	455	335	595	440	300				
7.5							530	390	290	525	385	260				
7.62							510	375	285	510	370	250				
8							470	335	230							
8.5										415	290	200				
9										365	255	170				
9.3										340	230	160				
9.43										330	225	155				

*The weight of hook block (30kg) must be included as part of the load shown in the RTL chart.

Rated Total Load Chart for Fixed Hook unit:kg

Boom	Boom Angle (°)	Jib Angle (°)	2.27m Jib			3.54m Jib			4.81m Jib		
			OR Extended Position			OR Extended Position			OR Extended Position		
			Max.	Mid.	Min.	Max.	Mid.	Min.	Max.	Mid.	Min.
3.05m Boom	85	90	950	950	950	950	950	950	950	950	950
		85	950	950	950	950	950	950	610	610	610
		55	950	950	950	710	710	710	610	610	610
	0	950	950	950	605	605	605	445	445	445	
	45	90	950	950	950	950	950	950	950	950	950
	85	950	950	950	950	950	950	610	610	610	
4.86m Boom	85	90	950	950	950	950	950	950	950	950	950
		85	950	950	950	950	950	950	610	610	610
		55	950	950	950	710	710	710	610	610	610
	0	950	950	950	605	605	605	445	445	445	
	45	90	950	950	950	950	950	950	950	950	950
	85	950	950	950	950	950	950	610	610	610	
6.67m Boom	85	90	950	950	950	950	950	950	950	950	950
		85	950	950	950	950	950	950	610	610	610
		55	950	950	950	710	710	710	610	610	610
	0	950	950	950	605	605	605	445	445	445	
	45	90	950	950	950	950	950	950	950	950	950
	85	950	950	950	950	950	950	610	610	610	
8.48m Boom	85	90	950	950	950	950	950	950	950	950	950
		85	950	950	950	950	950	950	610	610	610
		55	950	950	950	710	710	710	610	610	610
	0	950	950	950	605	605	605	445	445	445	
	45	90	950	950	950	950	950	950	950	950	950
	85	950	950	950	950	950	950	610	610	610	
10.29m Boom	85	90	950	950	950	950	950	950	950	950	950
		85	950	950	950	950	950	950	610	610	610
		55	950	950	950	710	710	710	610	610	610
	0	950	950	950	605	605	605	445	445	445	
	45	90	950	950	950	950	950	950	950	950	950
	85	950	950	950	950	950	950	610	610	610	

Maximum rated total load of single-fall hook is 1,000kg except *1 and *2
 Rated total load of single-fall hook at *1 and *2 is 980kg and 975kg respectively

⚠ Before use, please read the Operation Manual * Due to improvements, the specifications are subject to change without notice.



MK3053C

Automatic & Stepless Multi Outrigger Setting
 Fully Proportional Radio Remote Control
 Variable Crawler Gauge
 Main Boom with 4 Falls Hook Mode
 Semi-Automatic Leveling
 Semi-Automatic Jib & Boom Stowing
 Diesel / Electric / Battery spec

Full Lineup Spec

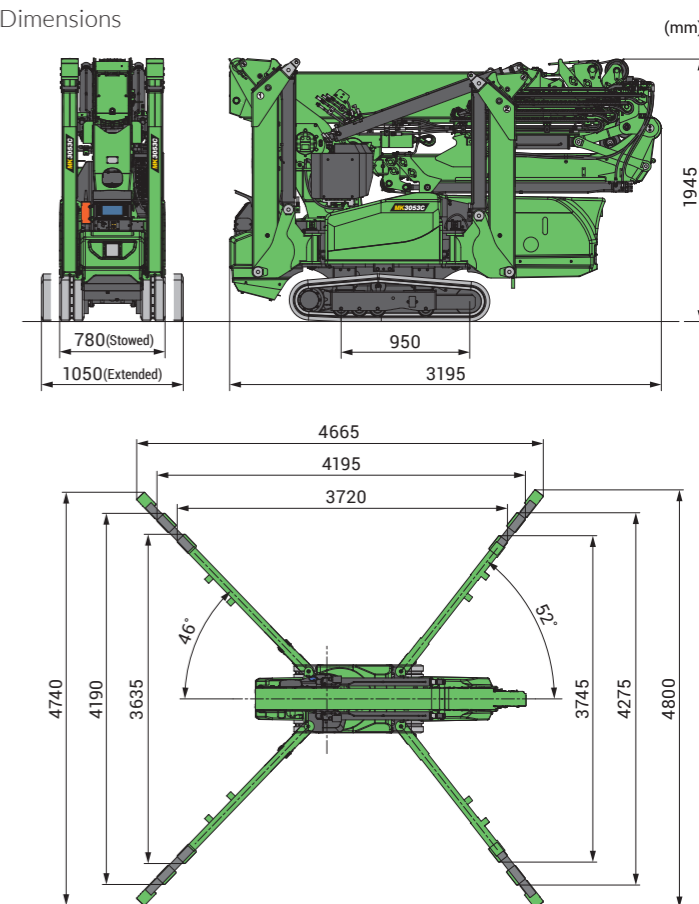


Battery

Diesel + Electric

Diesel

Dimensions



Battery

The next-generation spider crane equipped with a variety of new functions

Automatic & Stepless Multi Outrigger Setting



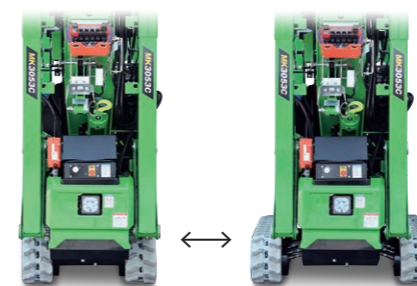
Fully Proportional Radio Remote Control



New Programmable Moment Limiter

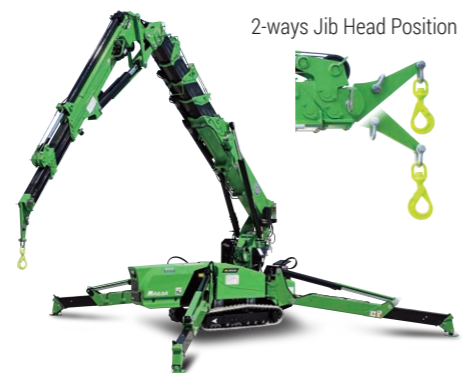


Variable Crawler Gauge



Lifting mode variations

■ Fixed Hook
 Max. Capacity : 950kg



2-ways Jib Head Position

■ Single Fall
 Max. Capacity : 1,000kg



■ 4 Falls with Main Boom
 Max. Capacity : 2,980kg



Detachable Jib by One Person



Detachable Extra Battery Unit
 EBU075 (Option)

Working Range Chart (Outriggers Position : Max.)

